

OPERATING INSTRUCTIONS

ADE

Bun cutting machine



Bun cutting machine BS-H

BS-H-230404-Rev001-UM-en



CONTENTS

1.	FOREWORD	2
1.1	Introduction.....	2
1.2	Intended use.....	2
1.3	Residual risks	3
2.	MACHINE OVERVIEW	3
3.	INSTALLATION AND START-UP	4
3.1	Scope of Supply	4
3.2	Setting up the machine	4
3.3	Connecting to the power supply	5
3.4	Electrical safety devices.....	5
3.5	Mechanical safety devices	5
3.6	Safety precautions	6
3.7	Acceptance testing	6
4.	USING THE BUN CUTTING MACHINE.....	7
4.1	Switching on	7
4.2	Switching off	7
4.3	Securing the machine against accidental switch-on	7
4.4	Feeding in food and cutting.....	7
5.	CLEANING	7
6.	CHANGING THE BLADE.....	8
7.	TRAINING	8
8.	DISPOSAL	8
9.	WARRANTY	9
10.	TECHNICAL DATA.....	9
11.	DECLARATION OF CONFORMITY	10
12.	DIAGRAMS	11
12.1	BS-H-230.....	11
12.2	BS-H-400.....	12
13.	EXPLODED VIEWS.....	13

1. FOREWORD



This symbol means: “Observe operating instructions.” Read these operating instructions carefully and observe the information contained therein. Keep these operating instructions handy for future reference.

This manual has been written to comply with the Machinery Directive as amended.

With it, the manufacturer intends to furnish the customer with clear and concise instructions for the use and maintenance of the machine, as well as information regarding the safety devices with which it is fitted to assure maximum efficiency throughout its service life.

The bun cutting machines may be updated; this eventuality shall not prejudice the instructions and explanations contained in the manual.

Before starting up the bun cutting machine, you must read this manual carefully.

Should this manual be damaged or lost, apply for a copy from the manufacturer immediately.

Many accidents and injuries that occur when using the machine result from insufficient familiarity with its functions and safety devices. Before starting work with the machine, please read the instructions herein carefully and follow them to the letter.

1.1 Introduction

The bun cutting machines have been designed to comply with applicable safety standards. Consequently, all our bun cutting machines are fitted with a plate featuring the “CE” mark attesting to the product's conformity with said provisions.

1.2 Intended use

The bun cutting machine is intended for cutting ready-baked buns, small baguettes, croissants, or similar baked goods in large quantities.

The bun is inserted through the feed opening at the top end of the machine and then slides automatically past a circular blade that cuts through the bun entirely or in parts. After being (partially) cut, the bun falls out at the bottom end and lands in a corresponding collection container (not part of the machine).

Use the adjustment knobs on the machine housing to change the position of the cut by altering the blade's height and width without any tools. The machine's working speed is up to 2,000 buns per hour.

An automatic shut-off when opening the housing, tamper protection at the top and bottom, and an inspection window made of plexiglass ensure safety and easy monitoring of the cutting process.

Use the bun cutting machine exclusively as it was designed to be used.





Failure to observe the safety instructions may result in severe damage to the machine and cause the warranty to become void.

The machine may only be used in its original condition and with original parts. It is strictly forbidden to dismantle the safety devices. Should any safety devices be damaged, immediately shut down the machine and contact ADE for repair or replacement.

1.3 Residual risks

Even though extensive safety precautions have been taken on the machine, there are still residual risks for the operator in his daily work with the machine. These are particularly associated with the machine's rotating parts. The machine features the following warning and prohibition signs to alert the operator to the residual risks:

Symbol	Meaning
	Do not reach into the machine. Danger from rotating blades.
	Warning of cutting injury: Danger from rotating blades.

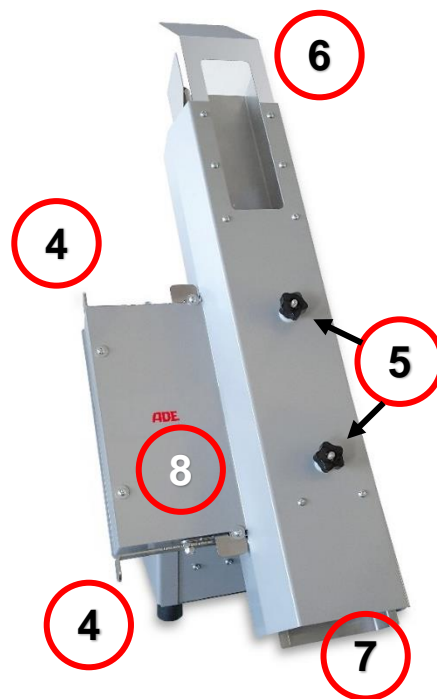
2. MACHINE OVERVIEW



Rear view



Side view



Front view

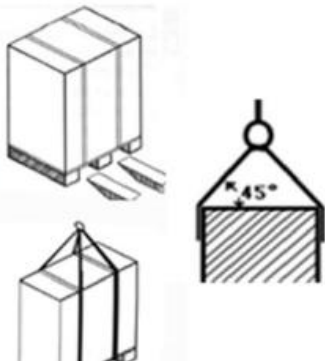
No.	Designation
1	Start button (green) / Stop button (red) / Control lamp (white)
2a	Star knob for cutting depth adjustment (total or partial cut)
2b	Cutting depth adjustment indicator (total or partial cut)
3	Star knob for cutting height adjustment
4	Lateral guide sliders for bun width adjustment
5	Star knob for bun holder
6	Feed chute
7	Discharge chute
8	Cover

3. INSTALLATION AND START-UP

3.1 Scope of Supply

The bun cutting machine is delivered fully assembled.

3.2 Setting up the machine

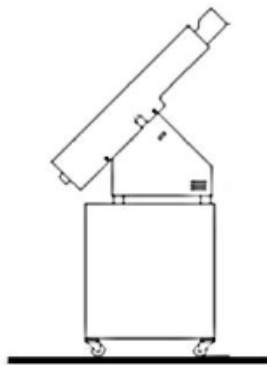


The machine is shipped and delivered on a cardboard pallet.

You can use a forklift truck or crane to lift the pallet by guiding in ropes or straps, as shown in the figure on the left.

When a crane is used for lifting, the maximum sling tension angle of 45° must be observed.

Remove the packaging and check the product for any signs of damage. Any damage must be reported to the shipping agent without delay. You must also report any damage to the manufacturer without delay.



Given that the machine weighs more than 25 kg, two people must set it up.

Place the machine on a level surface sturdy enough to support the weight of the machine.

Adequate space must be left around the machine for convenient operation, maintenance, and inspection.

Machines with pedestals are equipped with four casters with parking brakes for easy cleaning, handling the machine, and locking it safely for operation.



The packaging materials are recyclable and must never be disposed of in household waste. Check with the local authorities for the appropriate ways to dispose of waste properly.

The machine must be disposed of under local regulations.

3.3 Connecting to the power supply

The bun cutting machine is fitted with a Schuko plug (BS-H-230) or a 16 A CEE plug (BS-H-400). Make sure that the voltage indicated on the nameplate matches that of your local power grid. Then plug the machine into a suitable power outlet. The machine is now ready for use.



Before plugging the machine into the power supply, ensure that the local power supply and current frequency match the specifications on the machine's nameplate.

If this is not the case, never connect the machine to the power supply, as this may cause damage to the machine and lead to fire!

When connecting the machine to the power supply, make sure the connection cable is laid in a way that prevents any risk of tripping or falling.

For three-phase machines, a reverse run is possible due to the different configurations of the local power grids. If this is the case, have 2 of the 3 current phases in the plug swapped out by a skilled electrician! When the machine is switched on, the blade must rotate clockwise.

The plug may only be replaced by a skilled electrician!

3.4 Electrical safety devices

The bun cutting machine features the following electrical safety devices:

- Contact switch that prevents machine actuation when the cover is removed.
- The bun cutting machine stops automatically in the event of a power failure. Restart the machine once the power supply is restored.



All safety devices are permanently fitted to the machine and must not be removed. Dismantling them or any unauthorized modifications would make the machine unsafe.

The machine must only be used for its intended purpose. Improper or unintended use of the machine may pose a risk to the health and safety of persons and result in property damage.

The manufacturer shall not be held liable for any damage caused by improper use of the machine, failure to comply with the safety information in this manual, and tampering with or modifications to the machine without official approval from the manufacturer.

3.5 Mechanical safety devices

The bun cutting machine features the following mechanical safety devices:

- Angled plate that covers the feed chute and prevents reaching into the rotating blade.
- Discharge chute protective flap that prevents reaching into the rotating blade.

3.6 Safety precautions

- The bun cutting machine must only be operated by trained and skilled personnel.
- Children, disabled persons, and untrained personnel must not be allowed to operate the machine.
- Never operate the machine while under the influence of alcohol or drugs.
- Wear tight-fitting clothing to avoid getting caught on the machine's moving parts. Long hair must be tied back or worn under a hair net.
- Avoid wearing rings, bracelets, or chains.
- Never leave the machine unattended while it is running.
- Before carrying out any maintenance work, unplug the machine from the power outlet.
- Never clean the machine under running water or in a water basin.
- Should you notice any unusual noises or unpleasant odors coming from the machine, shut it down immediately, disconnect it from the power supply, and contact customer service.
- Never use the machine with a damaged plug or cord. If you find any defects, shut down the machine immediately and have it repaired by the manufacturer or an authorized service center.
- The power cord may only be replaced by authorized and trained personnel.

3.7 Acceptance testing

- Make sure all the bun cutting machine components are correctly assembled.
- Check that all the bun cutting machine components are locked in place properly.
- Plug the machine into a power outlet. The white control lamp (1) lights up.
- Start up the machine by pressing the green start button (1). You will hear the whirring of the blade.
- Press the red stop button (1) and check that the machine can be switched off. The blade can still run up to 2 minutes after power-off.



If you find any malfunctions, immediately shut down the machine, tag it clearly as “DEFECTIVE,” and contact customer service!

4. USING THE BUN CUTTING MACHINE

4.1 Switching on

Press the green start button (1) to switch on the machine.

4.2 Switching off

Press the red stop button (1) to switch off the machine. The blade can still run up to 2 minutes after power-off. Wait about 5 minutes before opening the machine.

4.3 Securing the machine against accidental switch-on

Before carrying out maintenance work, the machine must be secured against accidental switch-on. To do this, pull out the mains plug from the power outlet.

4.4 Feeding in food and cutting

1. Adjust the cutting height using the star knob for cutting height adjustment (3).
2. Adjust the cutting depth (total/partial cut) using the star knob for cutting depth adjustment (2a).
3. Adjust the lateral guide to the bun width using the two sliders (4).
4. Press the green start button (1).
5. Place the buns in the feed chute (6).
6. Switch off the machine by pressing the red stop button (1).

5. CLEANING

Always ensure that the machine is switched off before cleaning. Only the outside of the machine must be cleaned daily. There is no need to remove crumbs from the inside of the machine when conducting daily cleaning. Follow the procedure described in section 6 "CHANGING THE BLADE" to clean the inside of the machine.

Cleaning of the bun cutting machine must only be carried out by trained personnel.



Before cleaning, unplug the machine from the power supply!

Never clean the bun cutting machine or its parts in the dishwasher!

Under no circumstances must the machine or any of its parts be cleaned with a water jet or high-pressure cleaner!

Under no circumstances use sodium-hypochlorite-based solutions or abrasive detergents as they would irreparably damage the machine's surfaces.

The cleaning of the bun cutting machines with harmful products liable to affect the health of either operators or customers is strictly prohibited. Only use products with a pH value of 7-8 for cleaning.

During cleaning, always ensure that no water gets inside the machine, as this may damage the ball bearing, motor, and internal surfaces of the machine. If not allowed sufficient time to dry out, any residual water may lead to the formation of flash rust.

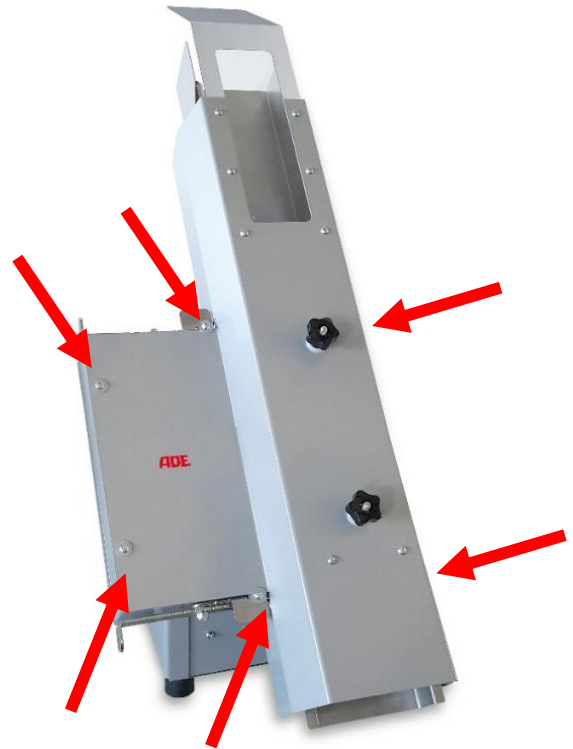
6. CHANGING THE BLADE

Blade replacement must only be carried out by trained personnel. Cut-resistant gloves must be worn to replace the blade.



Before opening the machine, unplug the machine from the power supply!

1. Before changing the blade, disconnect the machine from the power supply by pulling the plug out of the socket.
2. Loosen the two knurled screws on the side of the cover (not illustrated).
3. Remove the 4 hexagon socket screws marked with arrows on the front of the cover.
4. Lift the cover off the machine.
5. Remove the two screws that fix the blade.



6. Remove the blade. Cut-resistant gloves must be worn for this purpose.
7. Fit the machine back together by following the disassembly procedure in reverse order. Ensure that the cover is tightened firmly with all 6 screws.

7. TRAINING

During the machine's installation, an operator of age must be trained in the regular use-cleaning-care, especially regarding the hazards which are likely to be encountered if the machine is misused. The training will be given by the suitably authorized and trained installer familiar with the European community machine standards.

8. DISPOSAL



Waste electrical and electronic equipment must not be disposed of in household waste. Equipment with this marking must not be disposed of in residual waste and must be recycled.

9. WARRANTY

If the product malfunctions within 1 year from the date of purchase (receipt required) due to defects in material and workmanship, ADE will repair or replace the product.

The warranty does not cover moving parts such as blades, etc. The warranty does not extend to external normal wear and tear or damage caused by accident or misuse.

This warranty does not cover the products tampered with by unauthorized personnel.

The warranty agreement does not affect the customer's statutory rights.

Any complaints shall be submitted to the dealer from whom you purchased the machine.

10. TECHNICAL DATA

Model	BS-H-230	BS-H-400
Item no.	4338	4337
Bun height	min. 40 / max. 80 mm	
Bun width	max. 130 mm	
Cutting height	18 - 28 mm	
Cutting depth	0 - 15 mm or total	
Dimensions (W x H x D)	400 x 700 x 780 mm	
Power/current type	0.75 kW / 230 V	0.75 kW / 400 V
Net weight	38 kg	
These specifications are subject to change without prior notice during further development.		

11. DECLARATION OF CONFORMITY

ADE



EC declaration of conformity

Manufacturer: ADE Germany GmbH
Neuer Höltigbaum 15
22143 Hamburg / Germany

Person authorized to compile
the technical documentation: ADE Germany GmbH
Neuer Höltigbaum 15
22143 Hamburg / Germany

Type/Model: Bun Cutting machine
BS-H

Serial numbers:

BS-H-230	62100-xxxxxxx-00001	bis	62100-xxxxxxx-99999
BS-H-400	62099-xxxxxxx-00001	bis	62099-xxxxxxx-99999

The above manufacturer declares under sole responsibility that the above machine complies with the requirements of the following EC directives in the currently valid version:

2006/42/EC	Machinery Directive	(OJ L 157, June 9, 2006, p. 24 – 86)
2014/30/EU	EMC directive	(OJ L 96, March 29, 2014, p. 79 – 106)
2011/65/EU	RoHS directive	(OJ L 174, July 1, 2011, p. 88 – 110)

Directive 2014/35/EU is complied with in terms of its protection objectives in accordance with Annex I No. 1.5.1 MRL 2006/42/EC.

This declaration only applies to the machine in the condition in which it was placed on the market. The declaration becomes invalid as soon as a change is made to the machine that has not been agreed with the manufacturer.

P. Mack

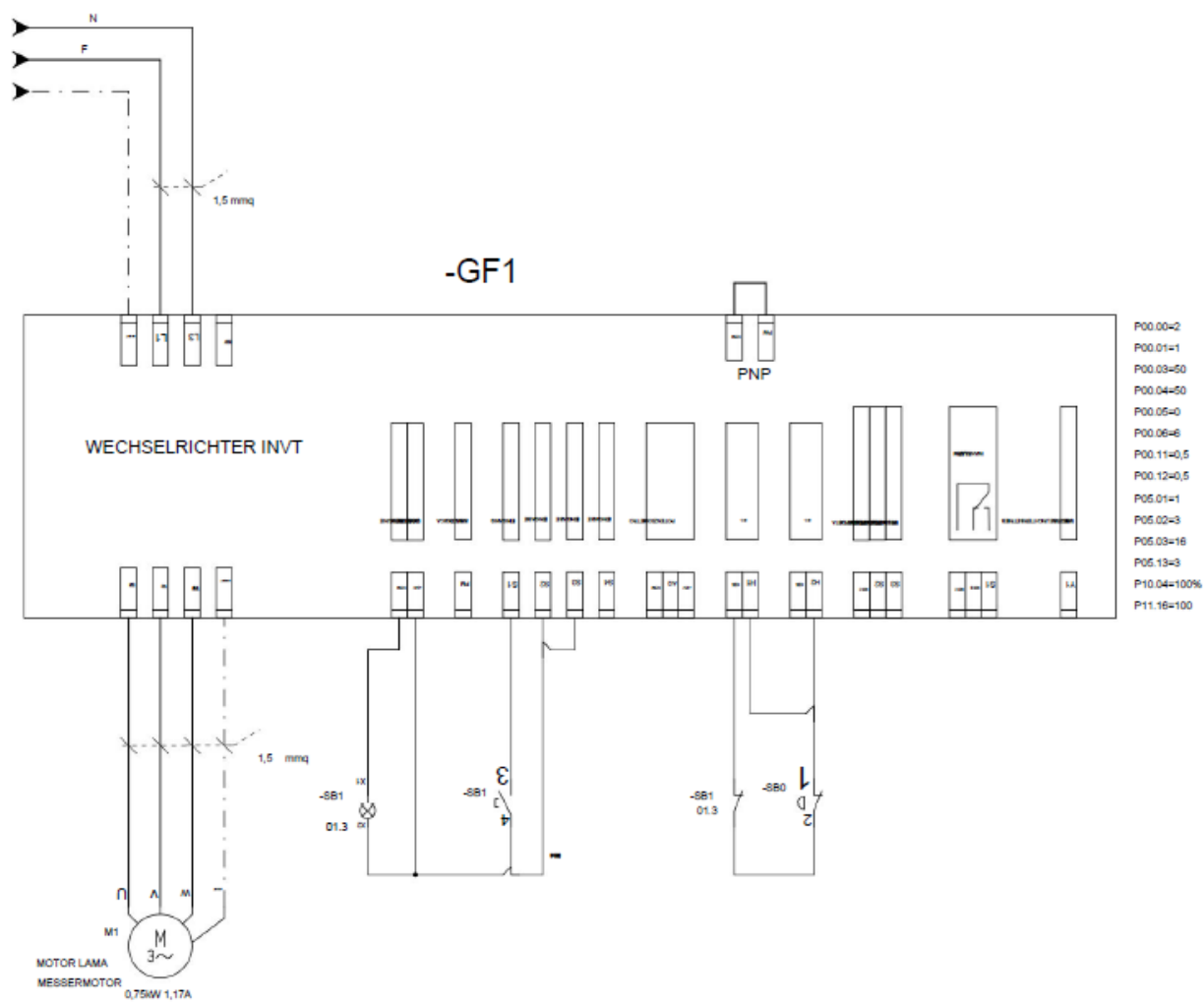
Managing Director

Hamburg, April 5th, 2023

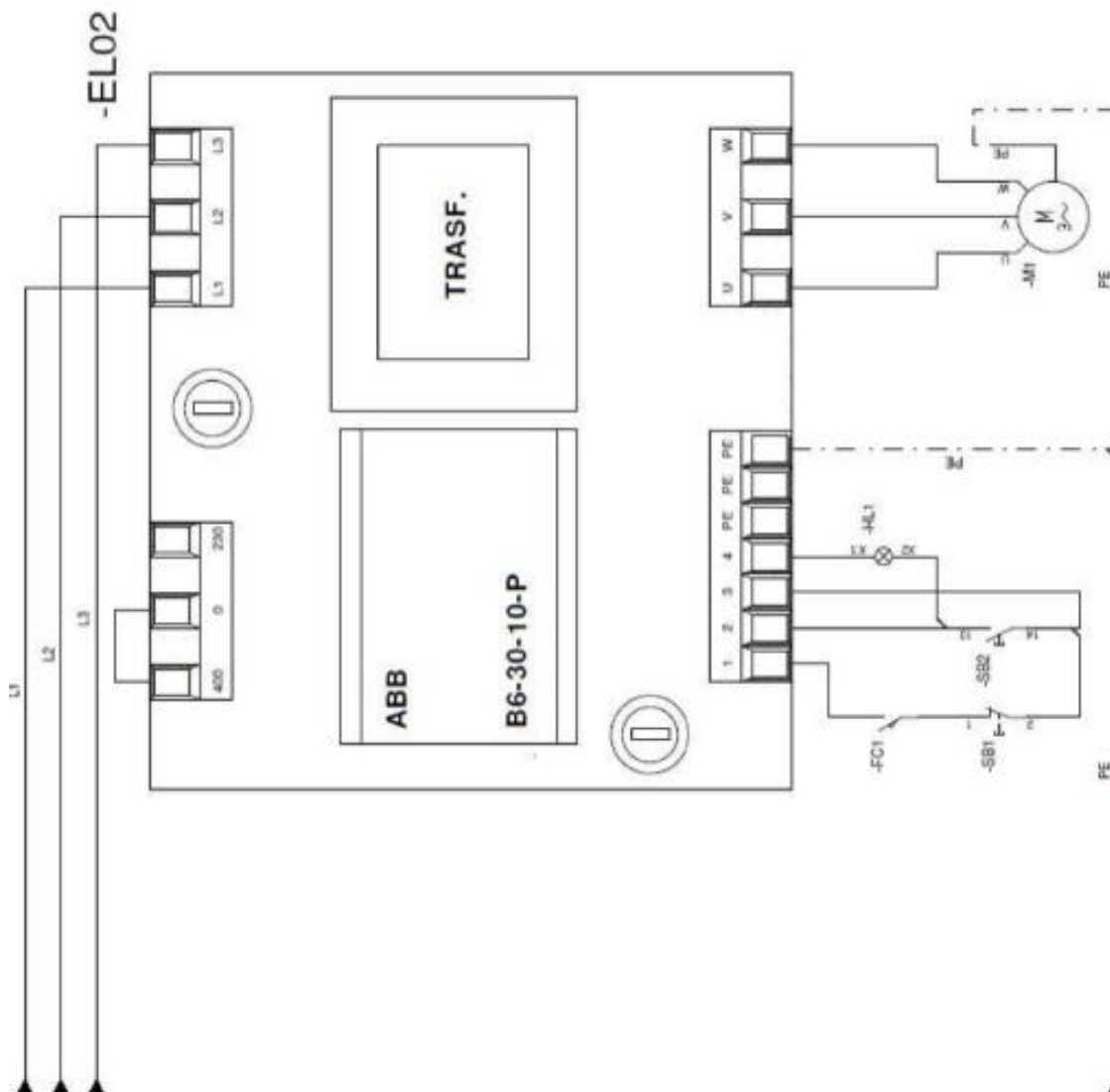
Location, Date

12. DIAGRAMS

12.1 BS-H-230

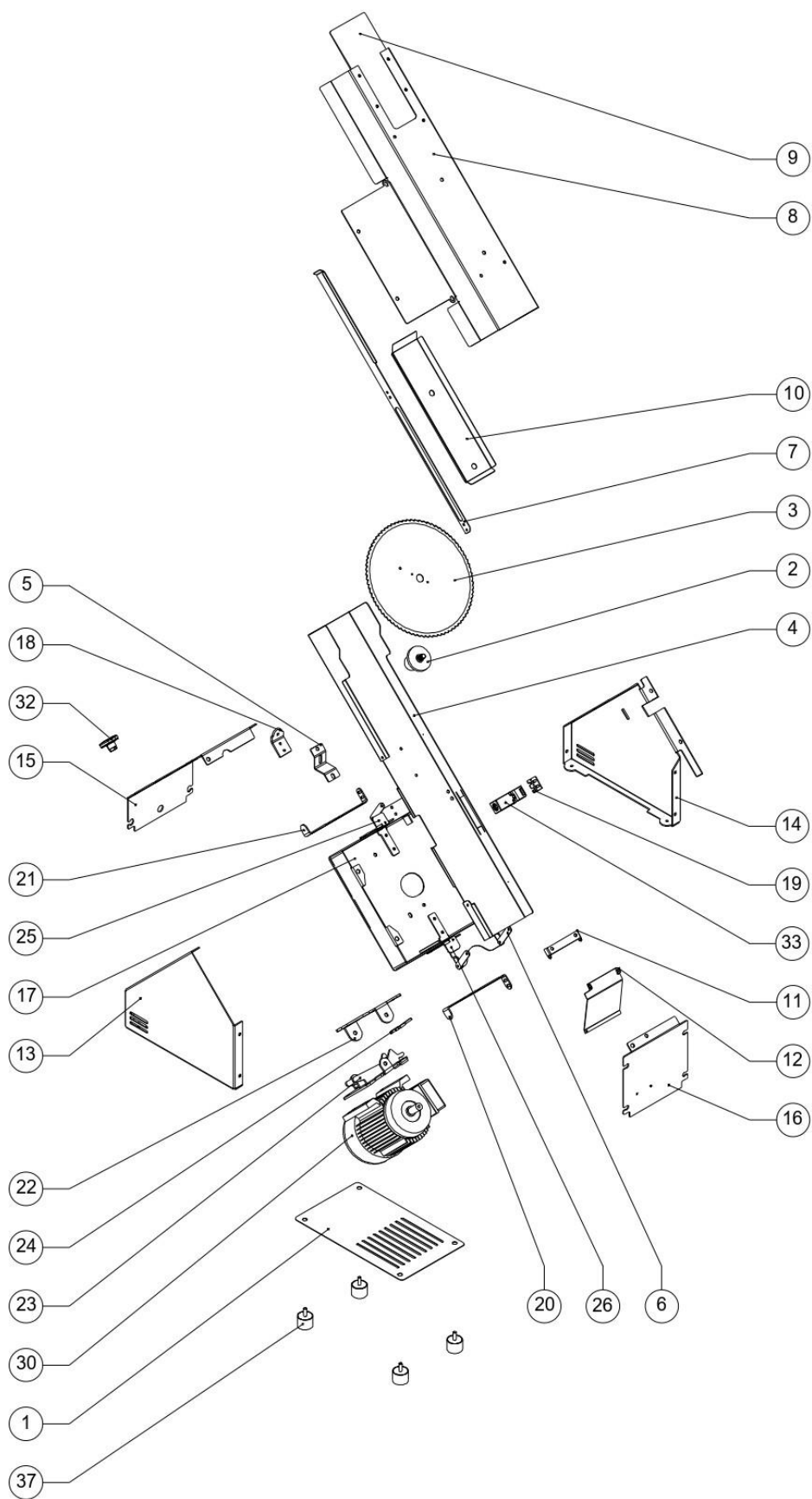


12.2 BS-H-400



SIGLA	PZ.	DESCRIZIONE / SPECIFICATION
EL08	1	SCHEDA CONTROLLO / ELECTRONIC CONTROL EL08
SBI	1	PULSANTE STOP / STOP BUTTON
SBI	1	CONTATTO / CONTACT NO. CSE P1601VN
SBI	1	PULSANTE NERO / BLACK BUTTON CSE P1601VN
SBI	1	CONTATTO / CONTACT NO. CSE P1610VN
SQ1	1	MICROINTERUTTORE / MICROSWITCH X10VNC100311
FU1	2	FUSIBILE / FUSE 5x20 500mA

13. EXPLODED VIEWS



No.	Item no.	Designation
1	TBD	Housing base
3	TBD	Blade
9	TBD	Inspection window (plexiglass)
30	TBD	Motor 230/400 V / 50 Hz / 0.75 kW
32	TBD	Start/Stop button
33	TBD	Safety sensor
37	TBD	Adjustable foot
-	TBD	Control board BS-H-230
-	TBD	Control board BS-H-400

Distributor:

Manufacturer: ADE Germany GmbH
Neuer Höltigbaum 15
22143 Hamburg / Germany
 +49 40 432 776 - 0
 +49 40 432 776 - 10
 info@ade-germany.de
 www.ade-germany.de