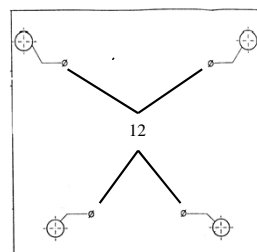
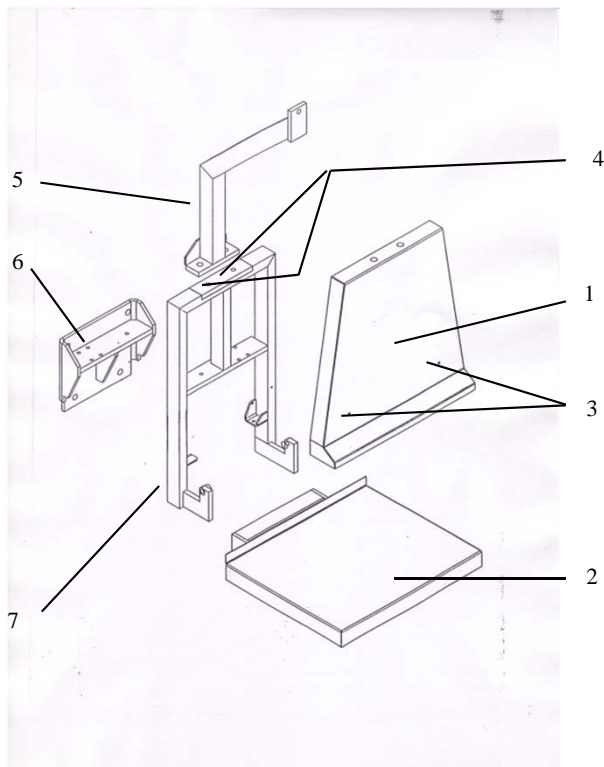
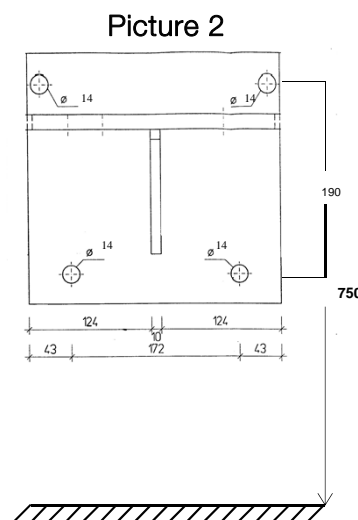


Mounting Instruction Wall Scale TerrexN

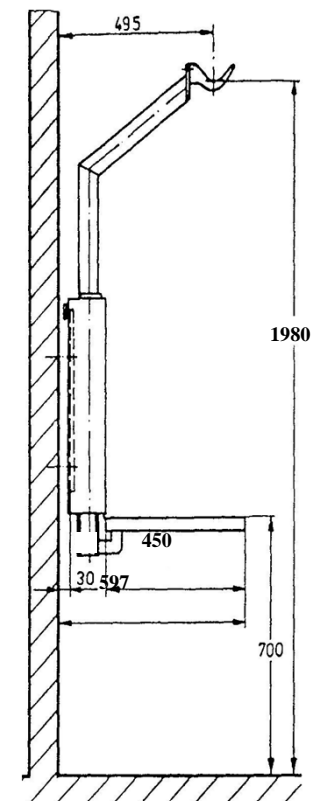


Drilling template

Picture 1



Picture 2



- 1 – Cover
- 2 – Foldable platform
- 3 – Mounting screws
- 4 – Cover for meat hook
- 5 – Meat hook (optional)
- 6 – Wall bracket
- 7 – Frame

1. Unpack mounting screws and drilling template (picture 1).
2. Check the wall for aptitude for weight of scale and load capacity.
Check, if delivered mounting screws are suited for the wall, if necessary use other mounting screws.
Please use:
 - Robus plastic dowels for concrete, gas concrete, solid bricks, vertical coring bricks;
 - screws for mounting through with threaded rod for all other kind of walls.
 (Mounting devices are not included in extent of delivery.)
3. Determine position for the wall scale.
Drill holes with help of drilling template (picture 1) for mounting on the wall, take care for measures.
4. Fix screws on the wall (Dowels and hanger bolts).
5. Take wall scale out the packaging and remove the cover (1). The cover is fixed at the frame with 4 screws.
6. Mount the wall scale on the wall (picture 2) and fold down the weighing platform (2).
Adjust the scale with a water level vertical (perpendicular) and horizontal (in alignment).
If necessary, use ring washers to compensate vertical and horizontal positions.